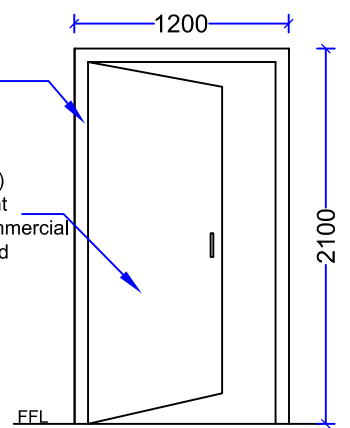


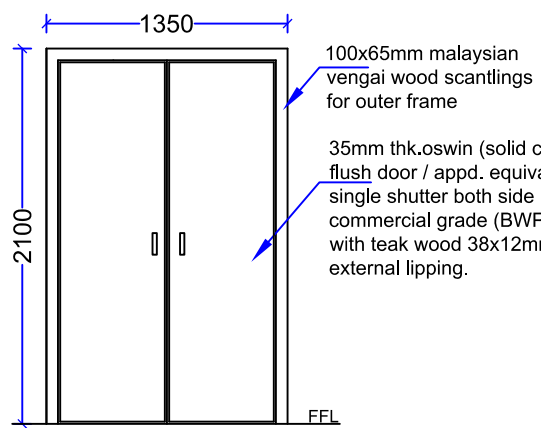
Door Size:1200x2100mm - D1  
Schedule Item no:48(a)

- Furniture Fittings:-**
1. M.S.Holdfast 150x50x6mm - 6 nos.
  2. 150mm long Alu.hinges with screws - 6 nos.
  3. 300x16mm long Alu.aldrop - 1 set.
  4. 230x12mm long Alu.towerbolt - 2 nos.
  5. 150x12mm long Alu.towerbolt - 1 no.
  6. Door bush Nylon - 2 nos.
  7. 100mm long Alu. D-type handle - 4 nos.
  8. 100mm long Alu.door stopper with double rod (heavy type) - 2 nos.



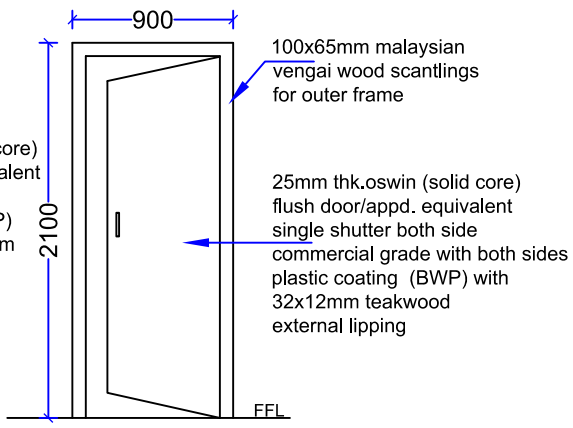
Door Size:1200x2100mm - D2  
Schedule item no:48(b)

- Furniture Fittings:-**
1. M.S.Holdfast 150x50x6mm - 6 nos.
  2. 150mm long Alu.hinges with screws - 4 nos.
  3. 250x16mm long Alu.aldrop - 1 set.
  4. 230x12mm long Alu.towerbolt - 1 no.
  5. Door bush Nylon - 1no.
  6. 100mm long Alu. D-type handle - 2 no.
  7. 100mm long Alu.door stopper with double rod (heavy type) - 1no.



Door Size:1350x2100mm - D3  
Schedule Item no:48(c)

- Furniture Fittings:-**
1. M.S.Holdfast 150x50x6mm - 6 nos.
  2. 150mm long Alu.hinges with screws - 6 nos.
  3. 300x16mm long Alu.aldrop - 1 set.
  4. 230x12mm long Alu.towerbolt - 2 nos.
  5. 150x12mm long Alu.towerbolt - 1 no.
  6. Door bush Nylon - 2 nos.
  7. 100mm long Alu. D-type handle - 4 nos.
  8. 100mm long Alu.door stopper with double rod (heavy type) - 2 nos.

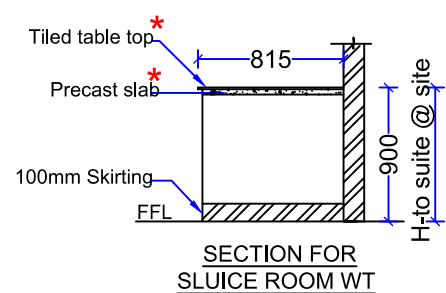


Door Size:900x2100mm - D4  
Schedule item no: 48(d) (Toilet Door)

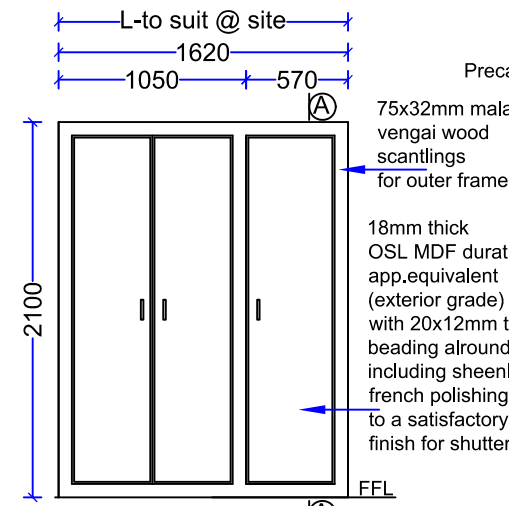
- Furniture Fittings:-**
1. M.S.Holdfast 150x50x6mm - 6 nos.
  2. 125mm long Alu.hinges with screws - 3 nos.
  3. 250x16mm long Alu.aldrop - 1 set.
  4. 230x12mm long Alu.towerbolt - 1 no.
  5. Door bush Nylon - 1 no.
  6. 100mm long Alu. D-type handle - 1 no.

**Note:**

1. All dimensions are in mm.
2. All alu. fittings are of ISI make, unless otherwise mentioned.
3. All wood are free from knots & whites of first quality.
4. 1.5mm planning tolerance on each wrought face is permitted.
5. All sizes mentioned are approximate to suit site conditions and as per actual measurements.
6. All exposed teak wood beadings are to be polished with sheenlac french polishing to a satisfactory finish.
7. MDF OSL./BSL. Board material shall be of duratuff exterior grade or equivalent make.
8. All glass 4mm/5mm thick plain glass/frosted of MODI/ Saint Gobain appd. equivalent.
9. \* PAYMENT WILL BE MADE SEPARATELY

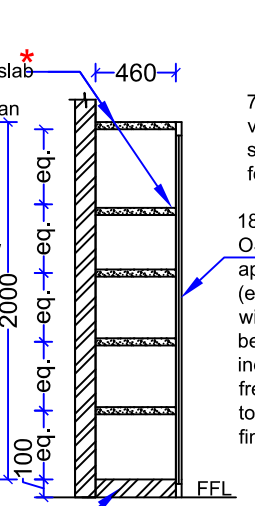


SECTION FOR SLUICE ROOM WT

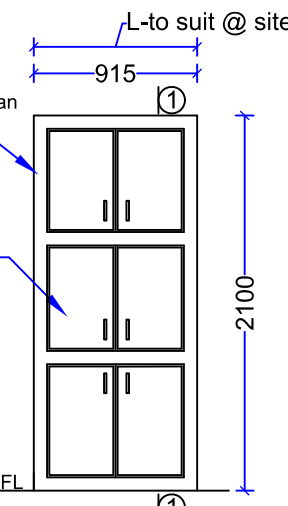


CUPBOARD: CB  
Size:1620x2100mm  
Schedule Item no: 51(a)

- Fittings: (ISI make) for double shutter - CB**
1. 100mm long S.S. hinges with screws - 6nos.
  2. 150x12mm alu. tower bolt - 1no.
  3. S.S. brush finish Handle 150mm long 'C' type make - Hafele / Ebco. - 1no.
  4. S.S. Locking eye - 1set.
  5. Magnetic catcher - 3 nos.

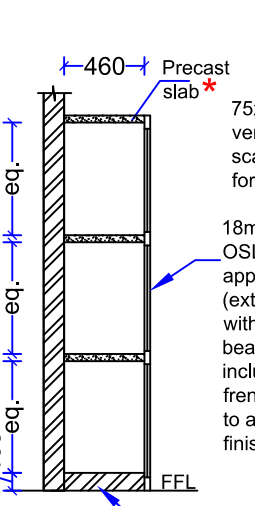


SECTION - 'A A' (TYPICAL)

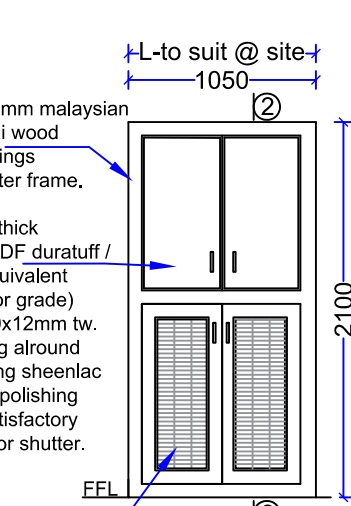


CUPBOARD - CB1  
CB1- 915x2100mm  
Schedule Item no:51(b)

- Fittings: (ISI make) for one unit.-CB1**
1. 100mm long S.S. hinges with screws - 12nos.
  2. 150x12mm alu. tower bolt - 3nos.
  3. S.S. brush finish Handle 150mm long 'C' type make - Hafele / Ebco. - 6nos.
  4. S.S. Locking eye - 3 set.
  5. Magnetic catcher - 3 nos.

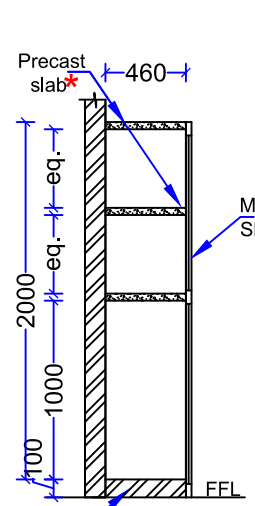


SECTION - '1 1' (TYPICAL)

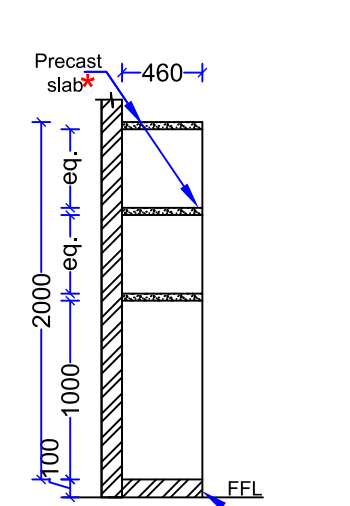


CUPBOARD - CB2  
CB2- 1050x2000mm  
Schedule Item no: 51(c)

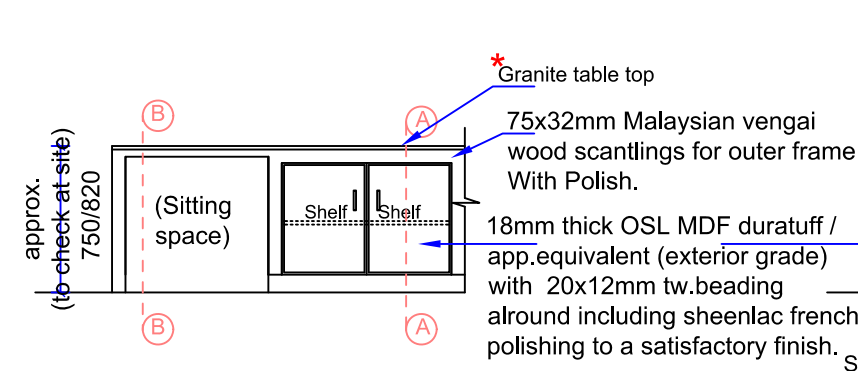
- Fittings: (ISI make) for one unit.- CB2**
1. 100mm long S.S. hinges with screws - 8nos.
  2. 150x12mm alu. tower bolt - 2nos.
  3. S.S. brush finish Handle 150mm long 'C' type make - Hafele / Ebco. - 4nos.
  4. S.S. Locking eye - 2 set.
  5. Magnetic catcher - 2 nos.



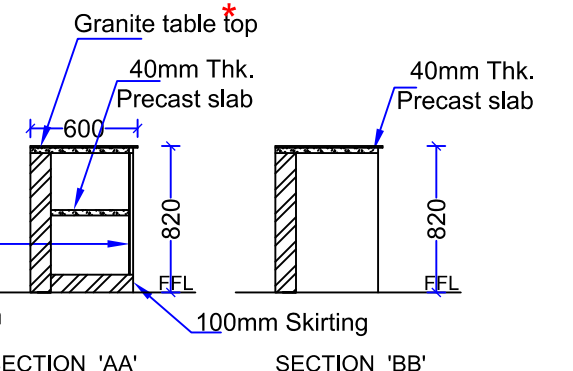
SECTION - '2 2' (TYPICAL)



SECTION OF OPEN SHELVES FOR LINEN STORE ROOM



WT / UCB UNIT ELEVATION (typical)



SECTION 'AA' SECTION 'BB'

**FURNITURE Fittings:**  
For UCB one unit two shutters

1. 75mm long stainless steel hinges with screws - 4Nos.
2. SS Handle 100mm "D" Type - 2Nos.
3. Hafele Lock & Key - 1No.
4. Magnatic Catch - 3Nos.
5. 75mm SS Tower Bolt - 1No.

**Nursing Station**  
WT / UCB  
SIZE - 910x600x820mm  
SCHEDULE ITEM NO:51(d)

TENDER PURPOSE ONLY

**CHRISTIAN MEDICAL COLLEGE -VELLORE.**

MODIFICATION TO GERIATRIC WARD IN O5-EAST FIFTH FLOOR OF O-BLOCK AT CMC TOWN CAMPUS.

JOINERY DETAIL - I

CHKD BY: DEVAKI.G	DATE : 16.04.2026	PLANNING ENGINEER:
DRAWN: DAVID	DRG.NO:CMC/O5/GW/J-01	