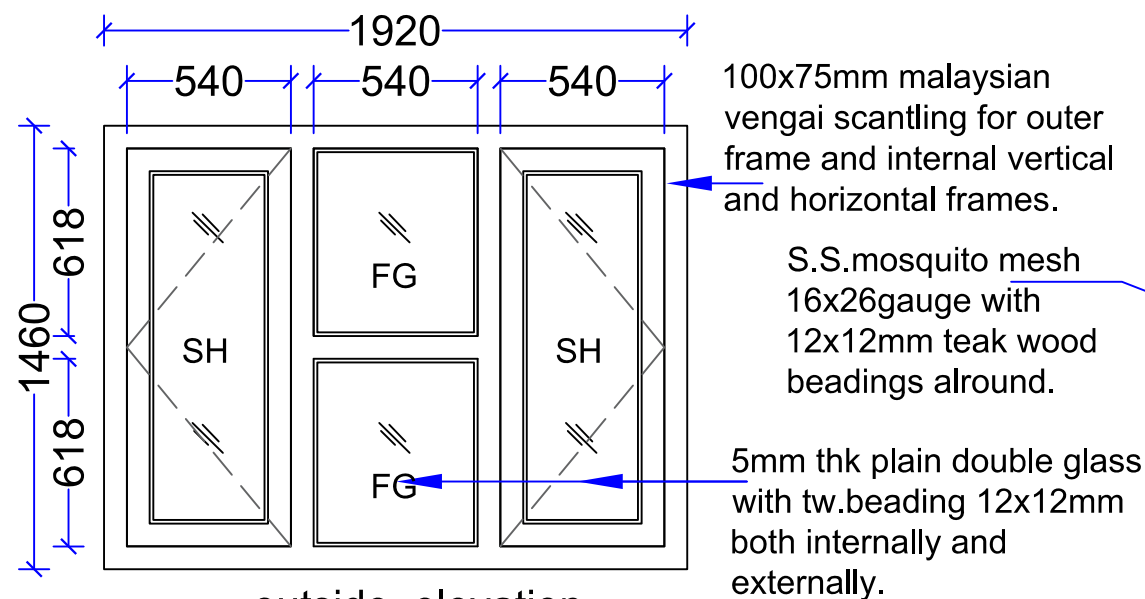


WINDOW A/C- 1920X1460mm -W1

Schedule item no: 48(e)

Furniture Fittings:-

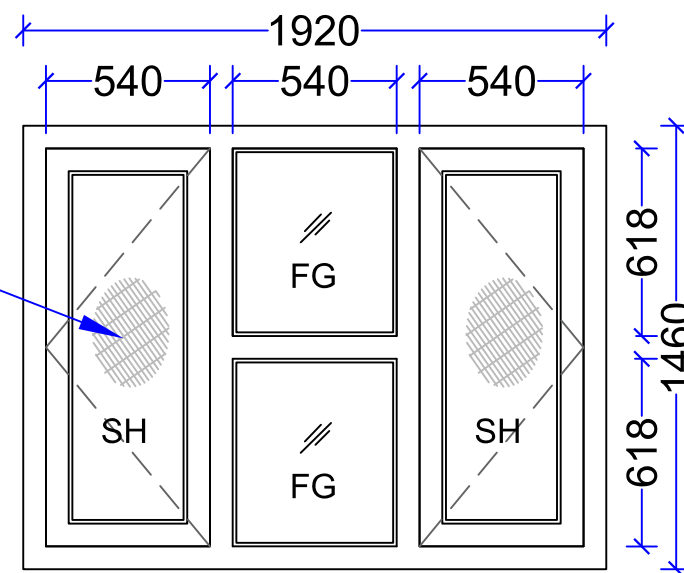
- 1. M.S.Holdfast 150x50x6mm - 4nos.



outside elevation

WINDOW A/C- 1920X1460mm -W1a

Schedule item no: 48(f)



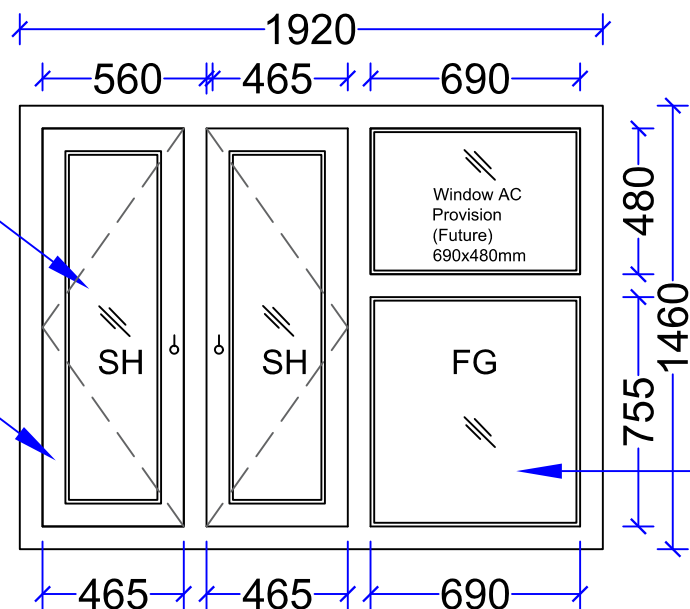
inside elevation

Furniture fittings:

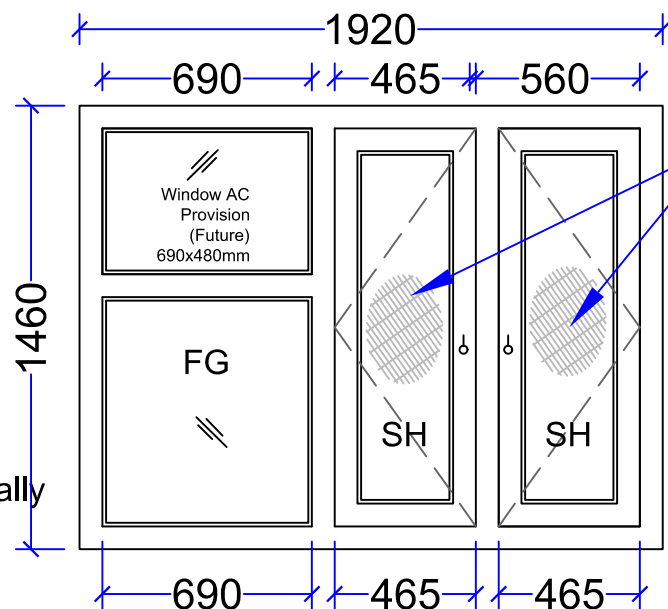
- 1. M.S.Holdfasts 150x50x6mm - 4nos.
- 2. I max friction hinges 250mm long approved ISI make and quality powder coated (top and bottom) - 2sets.
- 3. 7.5x10mm long Alu.towerbolt - 4nos.
- 4. 2.5mm dia. brass cp rings - 2Nos.

5mm thk plain double glass with tw.beadings 12x12mm both internally and externally.

75x32mm Malaysian vengai scantlings for shutter frame



outside elevation



inside elevation

WINDOW A/C- 1920X1460mm -W1b

Schedule item no: 48(g)

Furniture fittings:

- 1. M.S.Holdfasts 150x50x6mm - 4nos.
- 2. I max friction hinges 250mm long approved ISI make and quality powder coated (top and bottom) - 2sets.
- 3. 7.5x10mm long Alu.towerbolt - 4nos.
- 4. 2.5mm dia. brass cp rings - 2Nos.

S.S.mosquito mesh 16x26 gauge with 12x12mm teak wood beadings around.

NOTE:

- 1. All dimensions are in mm.
- 2. All fittings are of ISI make, unless otherwise mentioned.
- 3. All wood are free from knots & whites of first quality
- 4. 1.5mm planning tolerance on each wrought face is permitted.
- 5. All sizes mentioned are approximate to suit site conditions and as per actual measurements.
- 6. All exposed teak wood beadings are to be polished with sheenlac french polishing to a satisfactory finish.
- 7. Approved make of MDF boards - duratuff exterior grade or equivalent make.
- 8. PAYMENT WILL BE MADE SEPARATELY
- 9. Dimensions should be Re-checked at site.
- 10. Work to figured Dimensions, Do not scale this drawing.
- 11. Discrepancies if any should be brought to the notice of the engineer.

ms.grill to detail. (excluding cost of grill.)

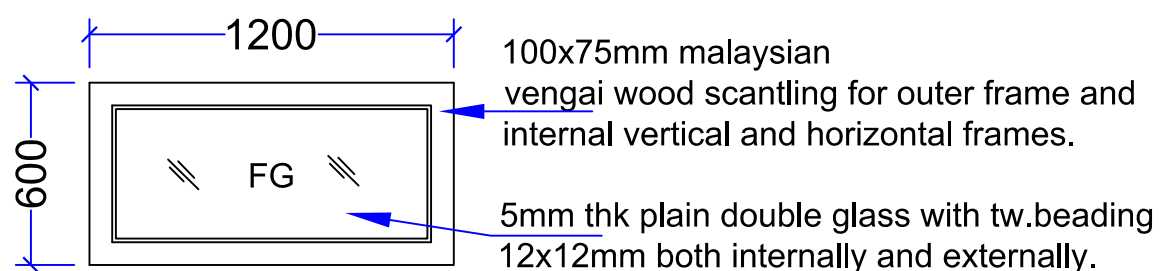
inside mesh shutter

inside

glass shutter

outside

Plan



FG - 1200X600mm

Schedule item no: 49

Furniture Fittings:-

- 1. M.S.Holdfast 150x50x6mm - 4nos.

TENDER PURPOSE ONLY

CHRISTIAN MEDICAL COLLEGE -VELLORE.

MODIFICATION TO GERIATRIC WARD IN O5-EAST FIFTH FLOOR OF O-BLOCK AT CMC TOWN CAMPUS.

JOINERY DETAIL - II

CHKD BY: DEVAKI.G

DATE : 16.04.2026

PLANNING ENGINEER:

DRAWN: DAVID

DRG.NO:CMC/O5/GW/J-02