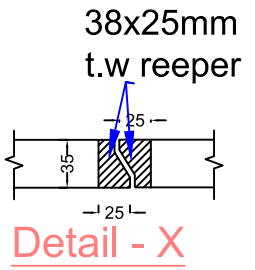


Main Door
 MD: 2100x2100mm
 MDa: 2050x2100mm

Schedule Item no:47(a)&(b)

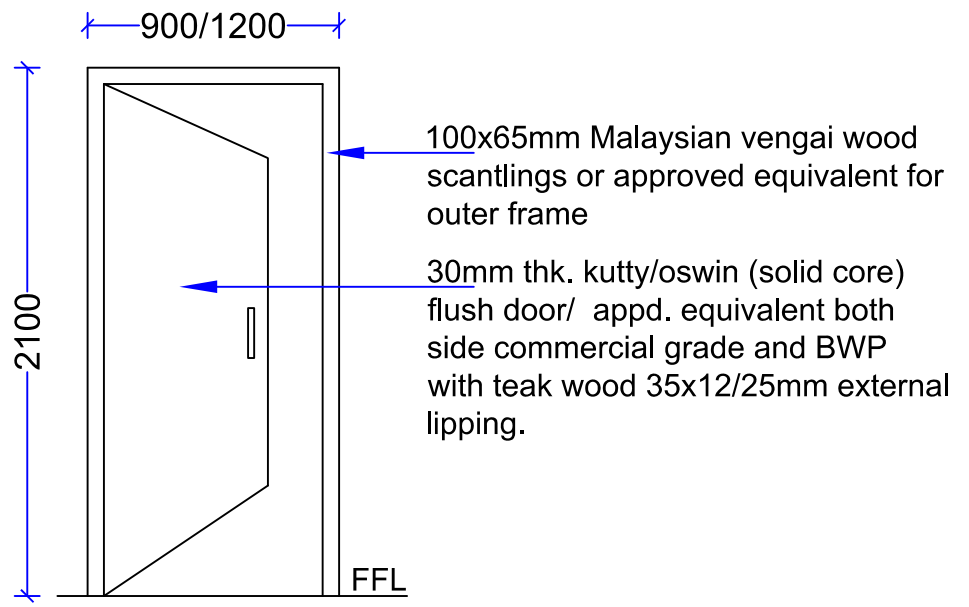
Furniture Fittings:-

- 1. M.S.Holdfast 150x50x6mm - 6 nos.
- 2. Floor door Spring (heavy duty) everite approved make. * - 2 sets.
- 3. 300x16mm long Alu.aldrop - 1 set.
- 4. 230x12mm long Alu.towerbolt - 2 nos.
- 5. 150x12mm long Alu.towerbolt - 1 no.
- 6. Door bush Nylon - 2 nos.
- 7. 100mm long Alu. D-type handle - 4 nos.
- 8. 100mm long Alu.door stopper with double rod (heavy type) - 2 nos.



NOTE:

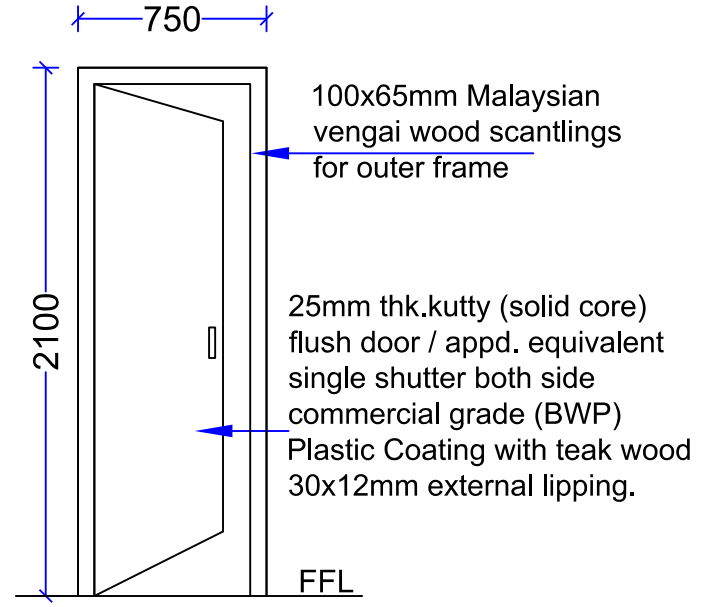
- 1. All dimensions are in mm.
- 2. All fittings are of ISI make. unless otherwise mentioned.
- 3. All wood are free from knots & whites of first quality
- 4. 1.5mm planning tolerance on each wrought face is permitted.
- 5. All sizes mentioned are approximate to suit site conditions and as per actual measurements.
- 6. All exposed teak wood beadings are to be polished with sheenlac french polishing to a satisfactory finish.
- 7.Approved make of MDF boards - duratuff exterior grade or equivalent make.
- 8. PAYMENT WILL BE MADE SEPARATELY*
- 9. Dimensions should be Re-checked at site.
- 10. Work to figured Dimensions, Do not scale this drawing.
- 11. Discrepancies if any should be brought to the notice of the engineer.



FLUSH DOOR
 D1 - 900 x 2100 SCHEDULE ITEM NO: 47(c)
 D2 - 1200 x 2100 SCHEDULE ITEM NO: 47(e)

Furniture fittings:

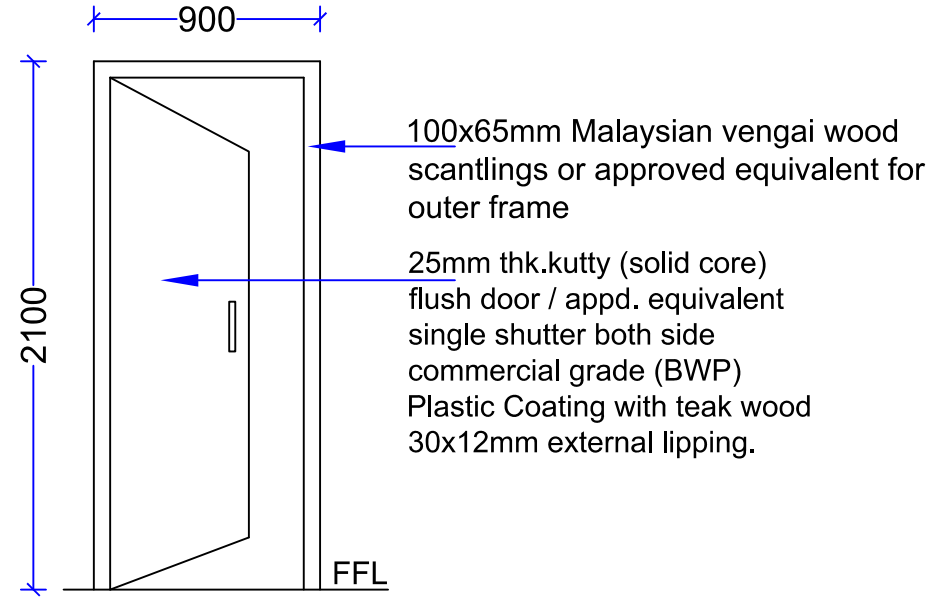
- 1. M.S.Holdfast 150x50x6mm - 6Nos.
- 2. 230x12mm long Alu.towerbolt - 1No.
- 3. 150mm long Alu.Hinges with screws - 4Nos.
- 4. Door bush (Nylon) - 1No.
- 5. 100mm Alu.door stopper with double rod - 1No.
- 6. 250x16mm alu.aldrop bolt with screws - 1No.
- 7. 150mm long Alu.D-type handle (in/out side)- 2Nos.



Toilet Door-D3 Size 750x2100mm,
 Schedule item no: 47(f)

Furniture Fittings:-

- 1. M.S.Holdfast 150x50x6mm - 6nos.
- 2. 150x12mm long Alu.towerbolt - 1no.
- 3. 125mm long S.S. hinges with screws - 4nos.
- 4. Door bush (Plastic) - 1no.
- 5. Brass body Bathroom lock with handle (link make /approved equivalent make)-1no.



SLUICE ROOM DOOR
 D1a - 900 x 2100
 SCHEDULE ITEM NO:47(d)

Furniture fittings:

- 1. M.S.Holdfast 150x50x6mm - 6Nos.
- 2. 230x12mm long Alu.towerbolt - 1No.
- 3. 150mm long Alu.Hinges with screws - 4Nos.
- 4. Door bush (Nylon) - 1No.
- 5. 100mm Alu.door stopper with double rod - 1No.
- 6. 250x16mm alu.aldrop bolt with screws - 1No.
- 7. 150mm long Alu.D-type handle (in/out side)- 2Nos.

TENDER PURPOSE ONLY

CHRISTIAN MEDICAL COLLEGE -VELLORE.

RENOVATION TO KNICU, FOR MICU IN SECOND FLOOR OF 'O' BLOCK AT CMC TOWN CAMPUS.

WOODEN JOINERY DETAILS

CHKD BY: DEVAKI.G	DATE : 16.04.2026	PLANNING ENGINEER:
DRAWN: DAVID ANDREW	DRG.NO:CMC/OB/MICU-J01	