

**WT / UCB / SINK UNIT ELEVATION (typical)**

**FURNITURE Fittings For UCB one unit two shutters**

- 1. 75mm long stainless steel hinges with screws - 4Nos.
- 2. SS Handle 100mm "D" Type - 2Nos.
- 3. Hafele Lock & Key - 1No.
- 4. Magnatic Catch - 3Nos.
- 5. 75mm SS Tower Bolt - 1No.

**Waiting Area WT / UCB / Sink**

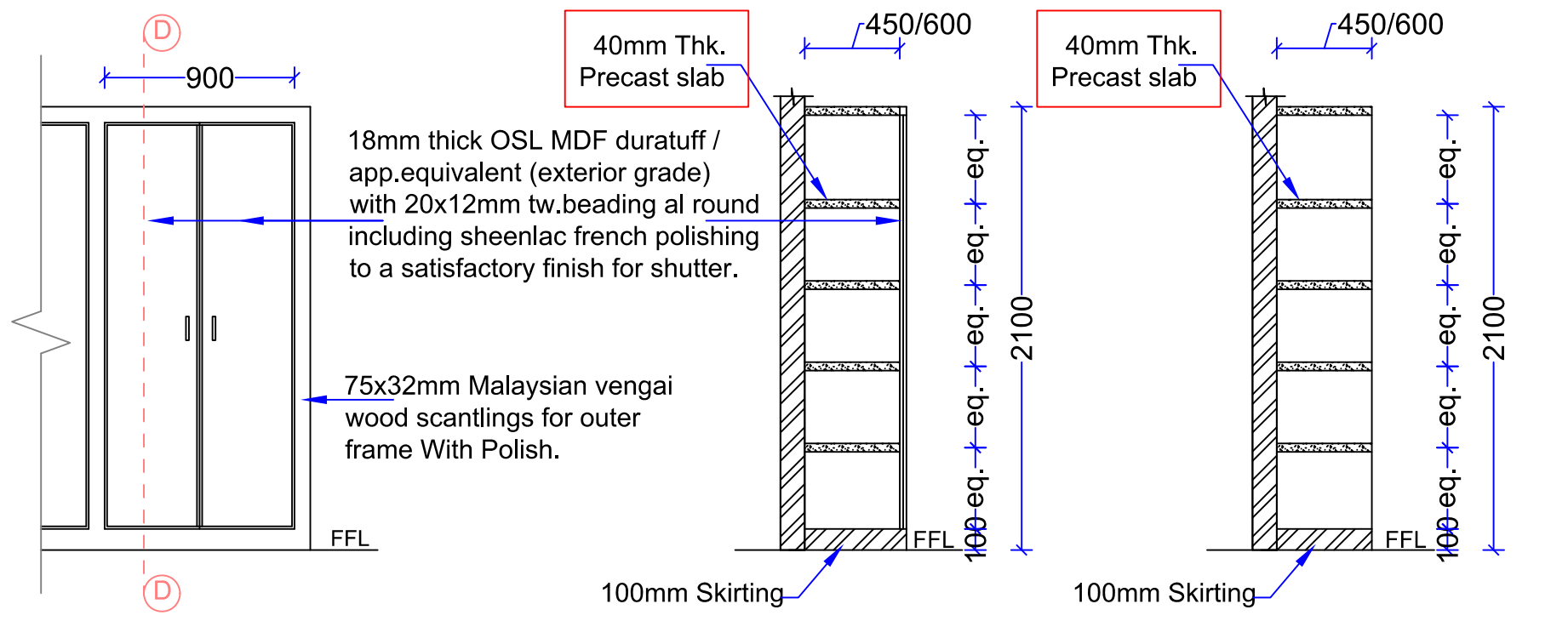
SIZE - 2025x600x820mm  
SCHEDULE ITEM NO:49(b)

**Pantry WT / UCB / Sink**

SIZE - 3035x600x820mm  
SCHEDULE ITEM NO:49(c)

**Staff Lounge**

WT / UCB / Sink  
SIZE - 1050x600x820mm  
SCHEDULE ITEM NO:49(d)



**CB1 ELEVATION**  
SCHEDULE ITEM NO: 49(a)

**FURNITURE Fittings For CB one unit two shutters**

- 1. 100mm long SS Cut Hinges - 8Nos.
- 2. SS Handle 150mm "D" Type - 2Nos.
- 3. Pad lock - 1Nos.
- 4. Magnatic Catcher - 3Nos.
- 5. 75mm SS Tower Bolt - 1No.

**SECTION - 'DD'**

**Store Room Open Shelves Section Detail**

**NOTE:**

1. All dimensions are in mm.
2. All fittings are of ISI make, unless otherwise mentioned.
3. All wood are free from knots & whites of first quality
4. 1.5mm planning tolerance on each wrought face is permitted.
5. All sizes mentioned are approximate to suit site conditions and as per actual measurements.
6. All exposed teak wood beadings are to be polished with sheenlac french polishing to a satisfactory finish.
7. Approved make of MDF boards - duratuff exterior grade or equivalent make.
8. PAYMENT WILL BE MADE SEPARATELY\*
9. Dimensions should be Re-checked at site.
10. Work to figured Dimensions, Do not scale this drawing.
11. Discrepancies if any should be brought to the notice of the engineer.

TENDER PURPOSE ONLY

**CHRISTIAN MEDICAL COLLEGE -VELLORE.**

RENOVATION TO KNICU, FOR MICU IN SECOND FLOOR OF 'O' BLOCK AT CMC TOWN CAMPUS.

ALUMINIUM & NCL JOINERY DETAILS

CHKD BY: DEVAKI.G	DATE : 16.04.2026	PLANNING ENGINEER:
DRAWN: DAVID ANDREW	DRG.NO:CMC/OB/KNICU-J04	