

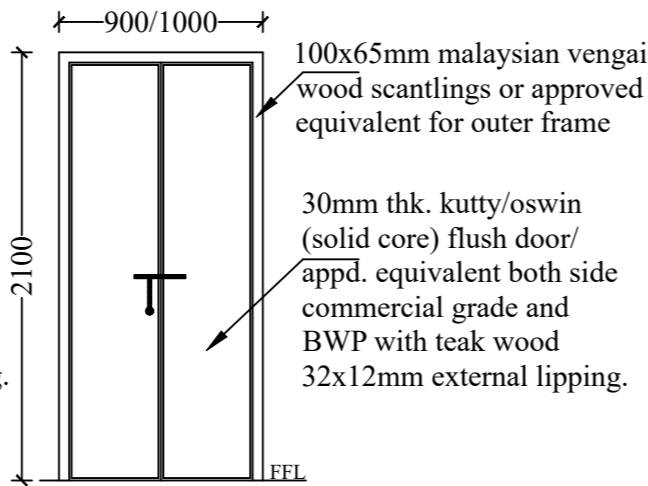
(FLUSH DOOR)

D - 1200x2100mm

Schedule Item No: 48(a)

**Furniture fittings:**

1. M.S.Holdfast 150x50x6mm - 6nos.
2. 230x12mm long Alu.towerbolt - 1no.
3. 150mm long Alu.Hinges with screws - 6nos.
4. Door bush (Nylon) - 2nos.
5. 100mm Alu.door stopper with double rod - 2nos.
6. 300x16mm alu.aldrop bolt with screws - 1no.
7. 150mm long Alu.D-type handle (in/out side)- 4nos.



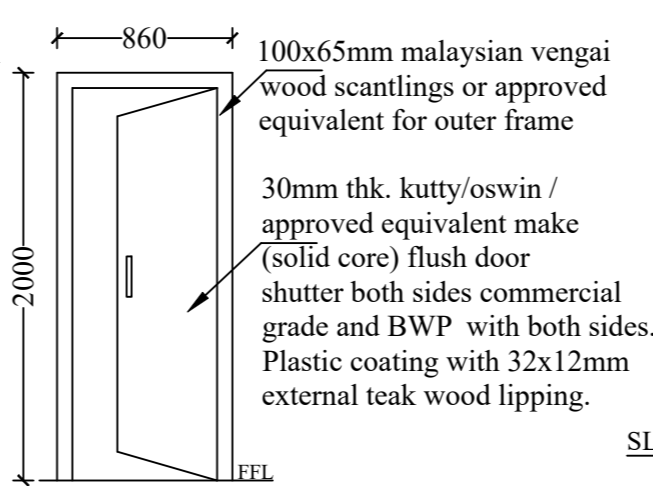
(FLUSH DOOR)

D1 - 900/1000x2100mm

Schedule Item No: 48(b)

**Furniture fittings:**

1. M.S.Holdfast 150x50x6mm - 6nos.
2. 230x12mm long Alu.towerbolt - 1no.
3. 150mm long Alu.Hinges with screws - 6nos.
4. Door bush (Nylon) - 2no.
5. 100mm Alu.door stopper with double rod - 2nos.
6. 250x16mm alu.aldrop bolt with screws - 1no.
7. 150mm long Alu.D-type handle (in/out side)- 4nos.



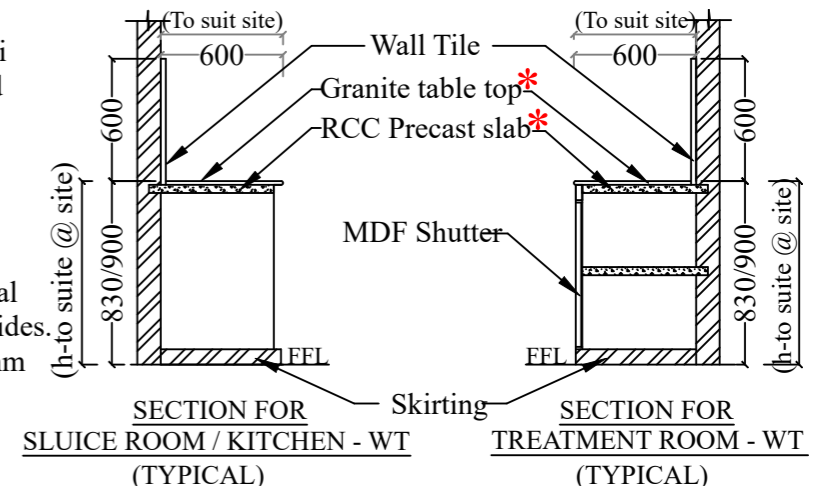
(TOILET DOOR)

Door Size: 860x2000mm - D2

Schedule Item No: 48(c)

**Furniture Fittings:-**

1. M.S.Holdfast 150x50x6mm - 6 nos.
2. 125mm long Alu.hinges with screws - 3 nos.
3. 250x16mm long Alu.aldrop - 1 set.
4. 150x12mm long Alu.towerbolt - 1 no.
5. Door bush Nylon - 1 no.
6. 100mm long Alu. D-type handle - 1 no.

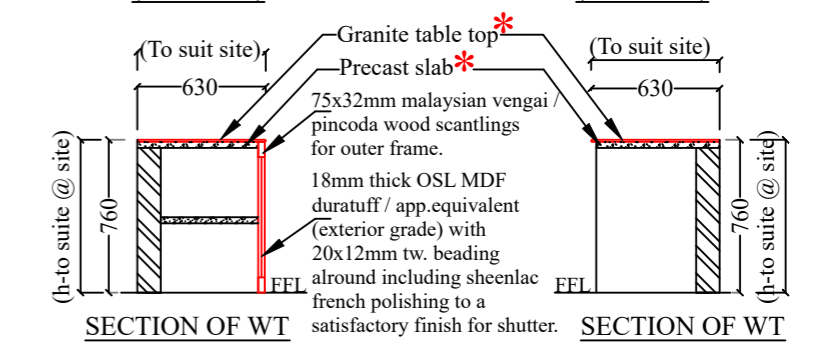


SECTION FOR SLUICE ROOM / KITCHEN - WT

(TYPICAL)

SECTION FOR TREATMENT ROOM - WT

(TYPICAL)



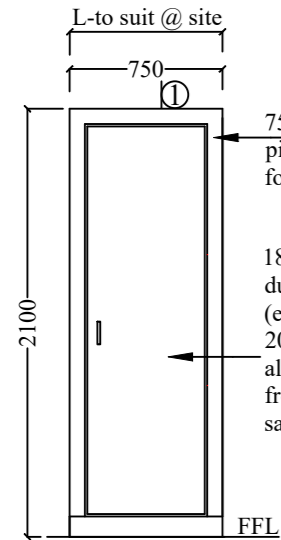
SECTION OF WT

SECTION OF WT

SECTION FOR NURSING STATION - WT (TYPICAL)

**Fittings:(ISI make) for one unit.(two shutters)UCB**

1. 75mm long S.S. hinges with screws - 4nos.
2. S.S. brush finish Handle 100mm long 'C' type make - Hafele / Ebco. - 2nos.
3. Magnetic catcher of approved brand and quality (big)-2nos.
4. S.S. Locking eye - 1 set.
5. 75x10mm alu. tower bolt - 2nos.



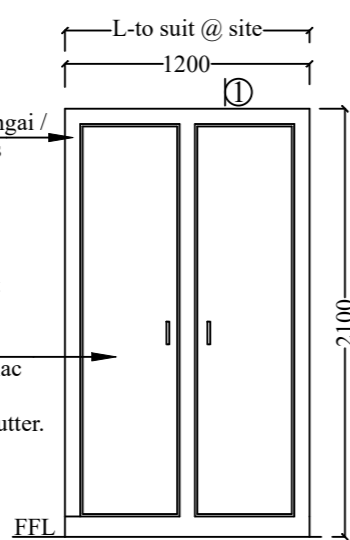
CUPBOARD: CB2

Size: 750x2100mm

Schedule Item No: 49(b)

**Fittings: (ISI make) for one unit.CB2**

1. 100mm long S.S. hinges with screws - 6nos.
2. 150x12mm alu. tower bolt - 2nos.
3. S.S. brush finish Handle 150mm long 'C' type make - Hafele / Ebco. - 2nos.
4. S.S. Locking eye - 1 set.
5. Magnetic catcher - 2 nos..



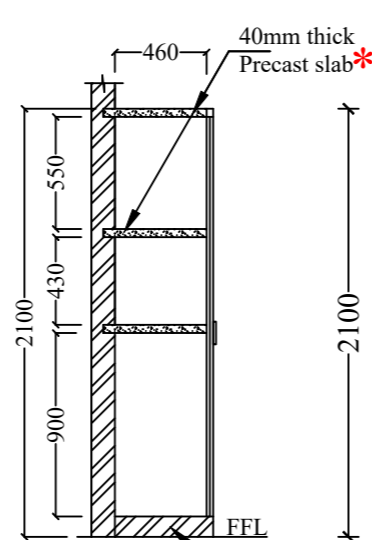
CUPBOARD - CB1 (COMBINED)

CB1- 1200 x 2100mm

Schedule Item No: 49(a)

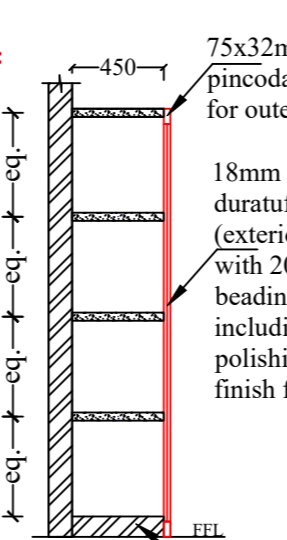
**Fittings: (ISI make) for one unit.-CB1**

1. 100mm long S.S. hinges with screws - 6nos.
2. 150x12mm alu. tower bolt - 2nos.
3. S.S. brush finish Handle 150mm long 'C' type make - Hafele / Ebco. - 2nos.
4. S.S. Locking eye - 1 set.
5. Magnetic catcher - 2 nos..



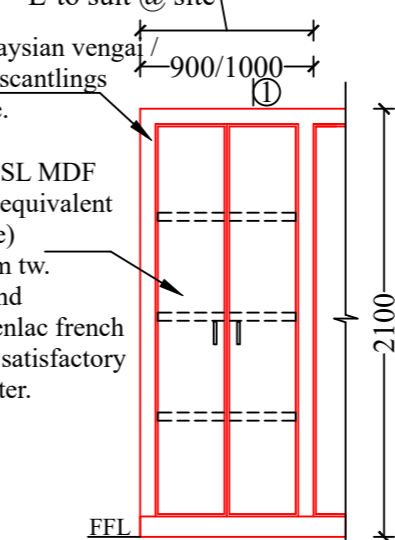
SECTION - '1 1'

(TYPICAL)



SECTION - '1 1'

(TYPICAL)



PRO. SHUTTERS OF (COMBINED)

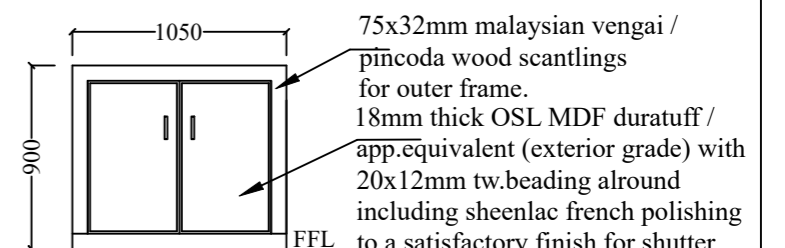
EXISTING OPEN SHELVES

CB- 900/1000x2100mm

Schedule Item No: 49(c)

**Fittings: (ISI make) for one unit.-CB**

1. 100mm long S.S. hinges with screws -6nos.
2. 150x12mm alu. tower bolt -2nos.
3. S.S. brush finish Handle 150mm long 'C' type make - Hafele / Ebco. -2nos.
4. S.S. Locking eye -1 set.
5. Magnetic catcher -2 nos..



ELEVATION - UCB

Schedule Item No: 49(d)

TENDER PURPOSE ONLY

**CHRISTIAN MEDICAL COLLEGE -VELLORE.**

MODIFICATION TO EXISTING O4 EAST WA RD IN FOURTH FLOOR OF 'O' BLOCK AT CMC TOWN CAMPUS.

JOINERY DETAIL

CHKD BY: S. K.	DATE : 15.05.2026	PLANNING ENGINEER:
DRAWN: M.B.	DRG.NO:CMC/O4E/J-01	

**Note:**

1. All dimensions are in mm.
2. All alu. fittings are of ISI make, unless otherwise mentioned.
3. All wood are free from knots & whites of first quality.
4. 1.5mm planning tolerance on each wrought face is permitted.
7. MDF OSL./BSL. Board material shall be of duratuff exterior grade or approved equivalent make.

6. All exposed teak wood beadings are to be polished with sheenlac french polishing to a satisfactory finish, unless otherwise mentioned.
5. All sizes mentioned are approximate to suit site conditions and as per actual measurements.
8. Plywood board material shall be of commercial grade / kitylo or equivalent make.
9. \* PAYMENT WILL BE MADE SEPARATELY