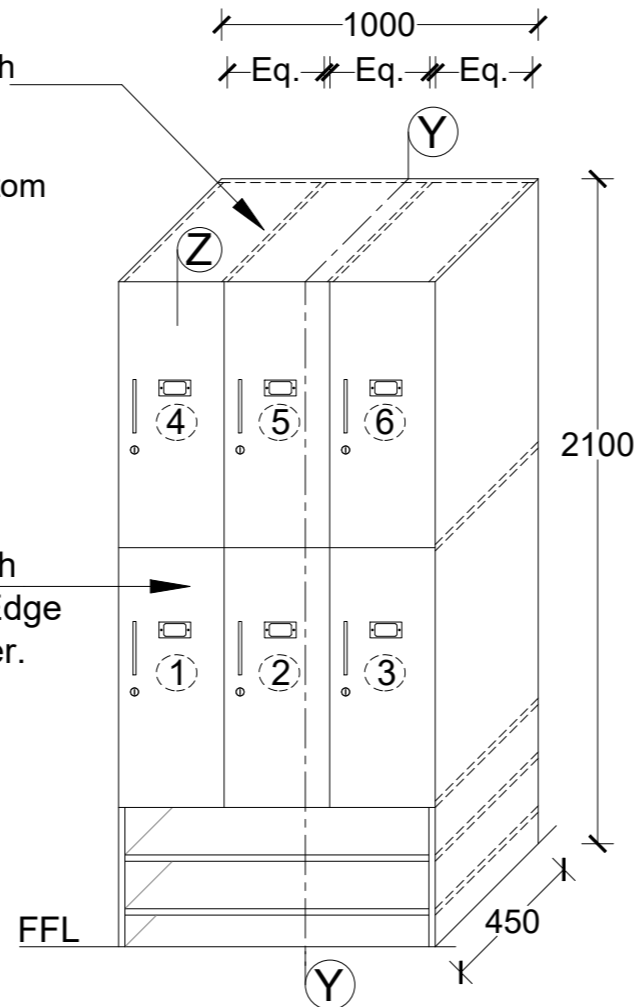


**ELEVATION OF LOCKERS**

**LCB1- 1000x450x2100mm - 1 NO.**  
**Schedule Item No:69a**

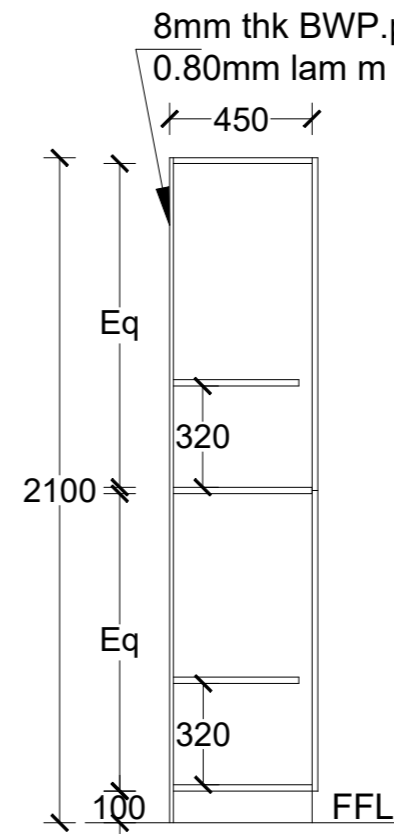
19mm thk BWP.ply wood with 0.8mm lam with 2mm PVC Edge banding all round for. Top,vertical support and bottom

19mm thk BWP.ply wood with 0.8mm lam with 2mm PVC Edge banding all round for. Shutter.

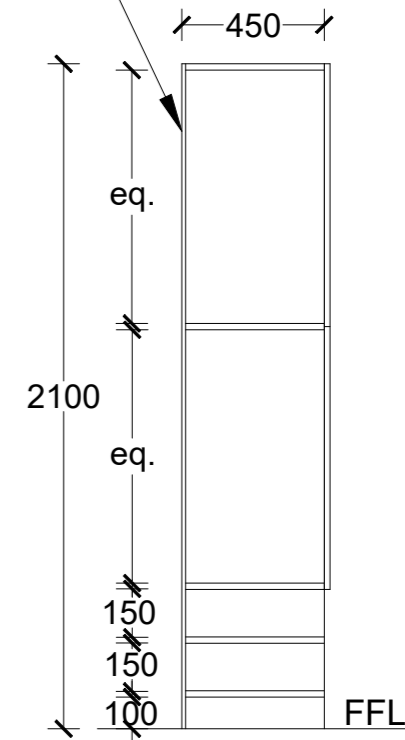


**ELEVATION OF LOCKERS**

**LCB2- 1000x450x2100mm - 1 NO.**  
**Schedule Item No:69b**



**SECTION 'X X'**



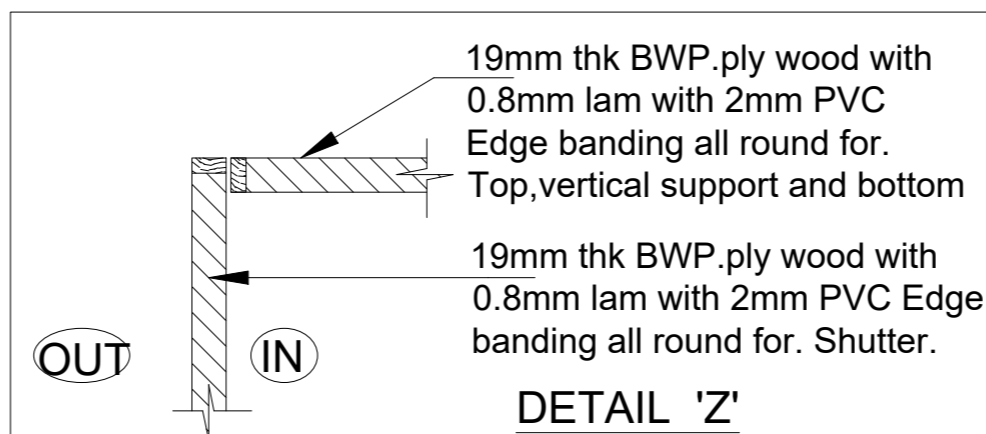
**SECTION 'Y Y'**

**Furniture Fittings for one unit.**

- 1. SS Clipon Hinges - 3Nos.
- 2. SS Handle 100mm "D" Type - 1Nos.
- 3. SS CB Lock - 1No.
- 4. Magnatic Catch - 1No.
- 5. Name Plate - 1No.

**Note:**

- 1.All dimensions are in mm.
- 2.All Mica make Merino / Sunmaica & Green lam.
- 3.All sizes mentioned are approximate to suit at site conditions and actual measurements to be taken before executing the work.
- 4.Water Proof (BWP) ply wood ISI 710 Grade make - Sharonply / Centuryply / Greenply & Archidply.
- 5.All furniture fittings make - Hafele/Ebco/Hettich.
- 6.All joint fixed with minifix & cam
- 7.The rate inclusive of furniture fittings
- 8.All hidden faces of plywood should be of white laminate (0.7mm thk) unless otherwise mentioned.
- 9.Furniture color to be finalized by the user department.
- 10.All glass items are of modi/approved equivalent make.
- 11.Rate inclusive of wire manager / up to 3" dia wherever needed
- 12.Modular regular switch box will be supplied by the electrical dept.and the fixing to be done by the contractor wherever needed.



**DETAIL 'Z'**

**CHRISTIAN MEDICAL COLLEGE -VELLORE.**

MODIFICATION TO EXISTING O3 EAST WARD IN THIRD FLOOR OF 'O' BLOCK AT CMC TOWN CAMPUS.

**LOCKERS DETAIL**

CHKD BY: Kathiravan.S	DATE : 07.03.2026	PLANNING ENGINEER:
DRAWN: Dhinakaran.I	DRG.NO:CMC/O3E/F-01	