

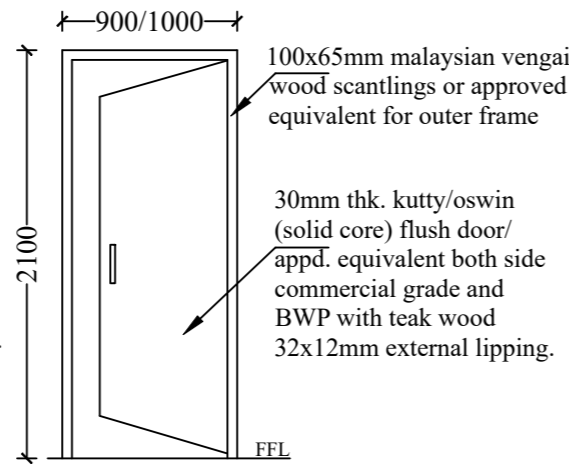
(FLUSH DOOR)

D1 - 1200x2100mm

Schedule Item No: 45(a)

Furniture fittings:

1. M.S.Holdfast 150x50x6mm - 6nos.
2. 230x12mm long Alu.towerbolt - 1no.
3. 150mm long Alu.Hinges with screws - 6nos.
4. Door bush (Nylon) - 2nos.
5. 100mm Alu.door stopper with double rod - 2nos.
6. 300x16mm alu.aldrop bolt with screws - 1no.
7. 150mm long Alu.D-type handle (in/out side)- 4nos.



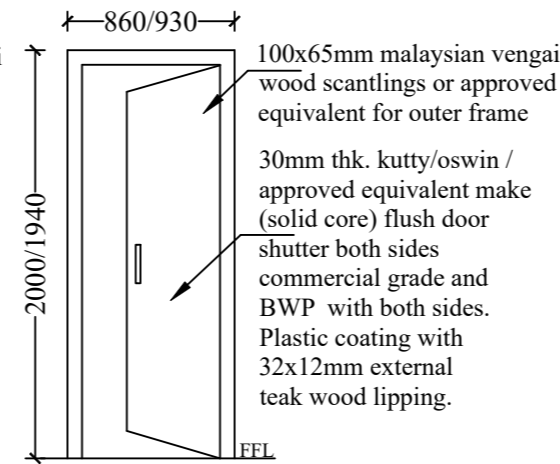
(FLUSH DOOR)

D2 - 900/1000x2100mm

Schedule Item No: 45(b)

Furniture fittings:

1. M.S.Holdfast 150x50x6mm - 6nos.
2. 230x12mm long Alu.towerbolt - 1no.
3. 150mm long Alu.Hinges with screws - 3nos.
4. Door bush (Nylon) - 1no.
5. 100mm Alu.door stopper with double rod - 1no.
6. 250x16mm alu.aldrop bolt with screws - 1no.
7. 150mm long Alu.D-type handle (in/out side)- 2nos.



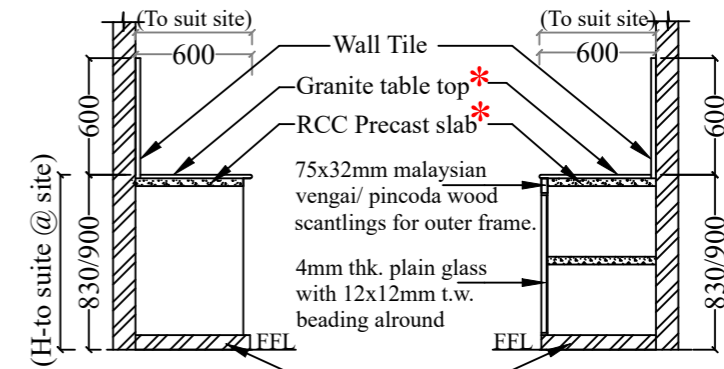
(TOILET DOOR)

Door Size: 860/930x2000/1940mm - D2

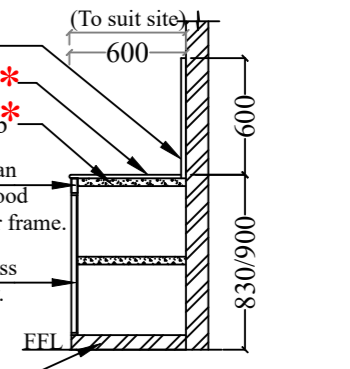
Schedule Item No: 45(c)

Furniture Fittings:-

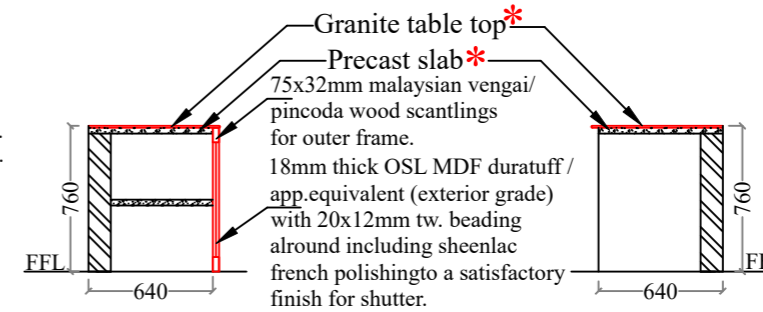
1. M.S.Holdfast 150x50x6mm - 6 nos.
2. 125mm long Alu.hinges with screws - 4 nos.
3. 250x16mm long Alu.aldrop - 1 set.
4. 150x12mm long Alu.towerbolt - 1 no.
5. Door bush Nylon - 1 no.
6. 100mm long Alu. D-type handle - 1 no.



SECTION FOR SLUICE ROOM - WT (TYPICAL)



SECTION FOR PANTRY / TREATMENT ROOM- WT (TYPICAL)



SECTION - WT

SECTION - WT

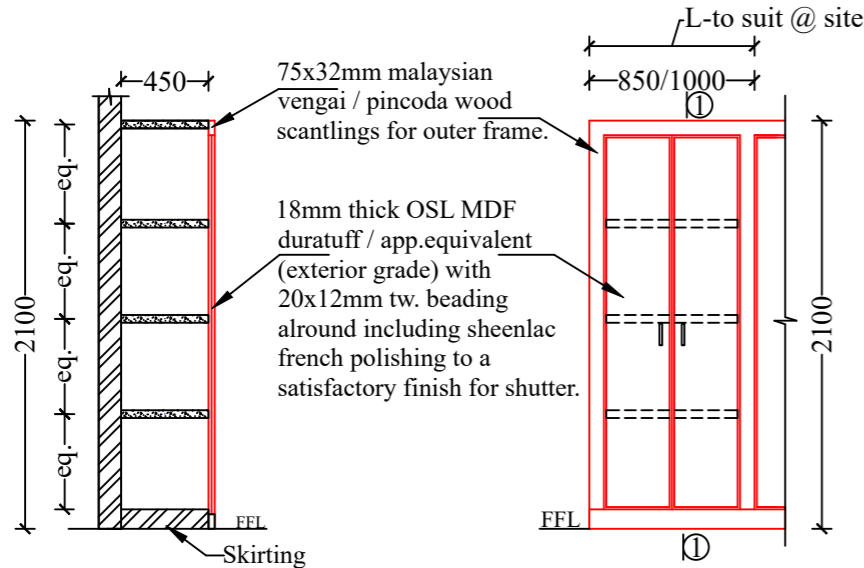
SECTION FOR NURSING STATION - WT (TYPICAL)

Fittings:(ISI make) for one unit.(two shutters)UCB

1. 75mm long S.S. hinges with screws - 4nos.
2. S.S. brush finish Handle 100mm long 'C' type make - Hafele / Ebco. - 2nos.
3. Magnetic catcher of approved brand and quality (big)-2nos.
4. S.S. Locking eye - 1 set.
5. 75x10mm alu. tower bolt - 2nos.

Note:

1. All dimensions are in mm.
2. All alu. fittings are of ISI make. unless otherwise mentioned.
3. All wood are free from knots & whites of first quality.
4. 1.5mm planning tolerance on each wrought face is permitted.
5. All sizes mentioned are approximate to suit site conditions and as per actual measurements.
6. All exposed teak wood beadings are to be polished with sheenlac french polishing to a satisfactory finish, unless otherwise mentioned.
7. MDF OSL./BSL. Board material shall be of duratuff exterior grade or approved equivalent make.
8. Plywood board material shall be of commercial grade / kitply or equivalent make.
9. * PAYMENT WILL BE MADE SEPARATELY



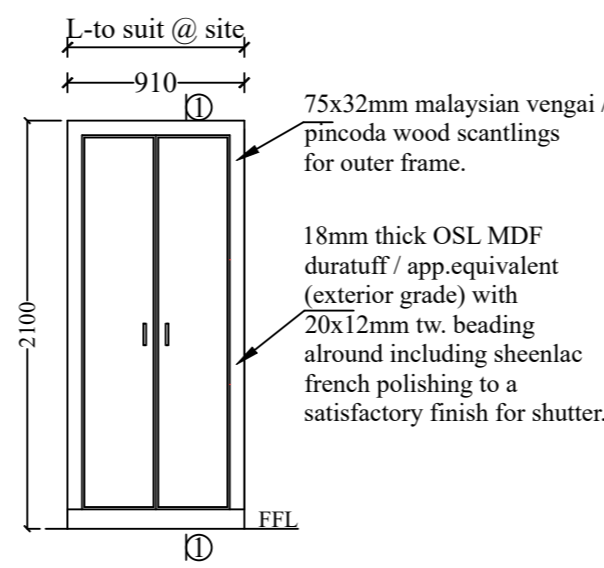
SECTION - '1' (TYPICAL)

Fittings: (ISI make) for one unit.-CB

1. 100mm long S.S. hinges with screws -6nos.
2. 150x12mm alu. tower bolt -2nos.
3. S.S. brush finish Handle 150mm long 'C' type make - Hafele / Ebco. -2nos.
4. S.S. Locking eye -1 set.
5. Magnetic catcher -2 nos..

PRO. SHUTTERS OF (COMBINED) EXISTING OPEN SHELVES

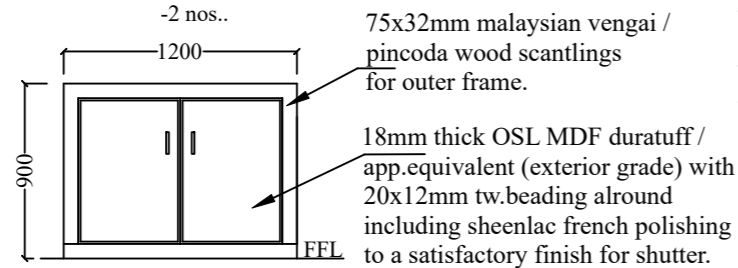
CB - 850/1000x2100mm
Schedule Item No: 46(b)



CUPBOARD: CB1
Size: 910x2100mm

Schedule Item No: 46(a)
Fittings: (ISI make) for one unit.CB1

1. 100mm long S.S. hinges with screws - 6nos.
2. 150x12mm alu. tower bolt - 2nos.
3. S.S. brush finish Handle 150mm long 'C' type make - Hafele / Ebco. - 2nos.
4. S.S. Locking eye - 1 set.
5. Magnetic catcher - 2 nos..



ELEVATION - UCB
Schedule Item No: 46(c)

TENDER PURPOSE ONLY

CHRISTIAN MEDICAL COLLEGE -VELLORE.

MODIFICATION TO EXISTING O3 EAST WA RD IN THIRD FLOOR OF 'O' BLOCK AT CMC TOWN CAMPUS.

JOINERY DETAIL - I

CHKD BY: S.K.	DATE : 15.05.2026	PLANNING ENGINEER:
DRAWN: M.B.	DRG.NO:CMC/O3E/J-02	